

LUNA MINI



Outdoor IP65 bollard luminaire. Top quality COB LED module with colour consistency MacAdams 3, extensive portfolio of lumen ranges and CCTs. Standard EVG on/off or DALI driver on request. Body is made of aluminium and diffuser of PMMA. Standard colour RAL 7016 any other on request. Variety of lumen outputs and drivers allows to use this luminaire in different types of lighting projects: parks, residential areas, office building surroundings, pedestrian routes. Mounting holes are prepared for standard concrete footings available in the market, please contact our sales team for details. Custom made footings available on request. Standard luminaire is not intended for use in increased corrosivity category environment, e.g. with increased salt concentration. Extra corrosion protection is available on request.

Luminous flux & Luminaire Power tolerance up to 10%. System power consumption depends on components used. Luminous efficacy depends on type of LED's, electronics, optics and diffuser. The most up to date technical parameters can be found on our website and in database of LDT files.

Lighting direction



PDF datasheet:

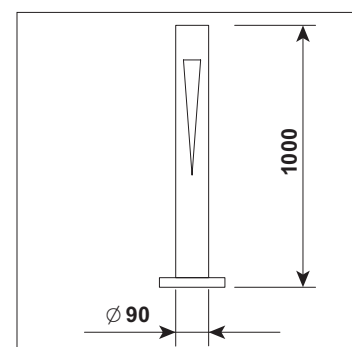


LUNA MINI

Mounting:	Ground mounting
Body material:	Aluminium
Colour:	Standard anthracite grey RAL 7016, other RAL colours on request
Lumen output:	Standard up to 2000 lm, any other on request
LED module:	Signify (Philips), Tridonic or equivalent COB LED module
Colour temperature:	2700/3000/4000K, other on request
Colour Rendering:	CRI>80 in standard, other on request
Driver:	EVG on-off, DALI, other on request
Wireless control:	N/A
Daylight/Occupancy sensor:	N/A
Emergency unit:	N/A
Operating temperature range:	-30°C ... +45°C
IP Class:	IP65 in standard
Power:	220-240V 50/60Hz
Lighting direction:	Direct lighting
Light distribution:	Symmetric/asymmetric
Optics:	Lens
Beam angle:	Wide selection of optics - please refer to our LDT database
Diffuser:	PMMA clear acrylic
Warranty:	5 Years standard warranty

LUNA MINI ground mounted luminaire

All current index numbers, lumen outputs, power consumption and many other technical information are available in our 2024 pricelist.



Basic dimensions